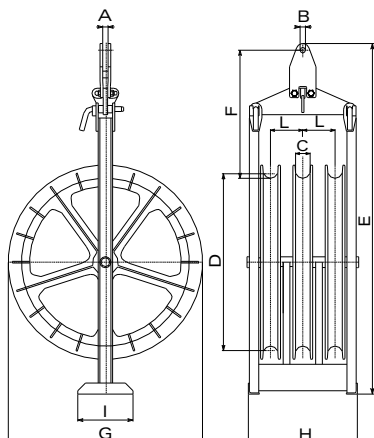


The pulleys are suitable for stringing two or three bundled conductor lines. The wheels are made of aluminium alloy; the lateral ones are mounted on ball bearings with groove lined by a neoprene ring; the central one is mounted on double-row ball bearings with grooves made up of wear-proof interchangeable nylon sectors. The frame is made of galvanised steel. The pulleys are supplied with fixed connection

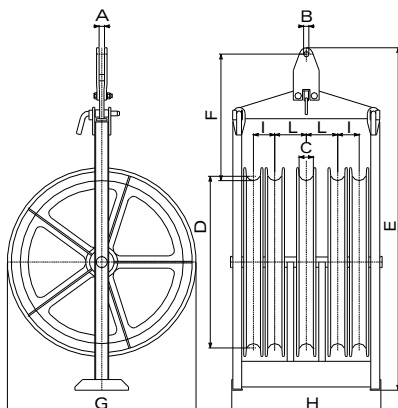


Model	Dimensions [mm]										Breaking load [kN]	Mass load [kg]
	A	B	C	D	E	F	G	H	I	L		
CAT 506	25	24	68	500	1280	580	628	500	250	145	120	95
CAT 612	25	24	68	650	1430	580	775	500	250	145	120	110
CAT 613	25	24	95	650	1430	580	775	572	250	170	180	130
CAT 812	25	24	68	800	1530	580	880	500	250	145	180	125
CAT 813	25	24	95	800	1540	580	893	572	250	170	180	160
CAT 007*	25	24	95	1000	1740	580	1100	572	250	170	200	198

\* Lateral wheels with nylon lining

## FOUR BUNDLED CONDUCTORS PULLEYS Mod. CAQ

The pulleys are suitable for stringing four bundled conductor lines. The wheels are made of aluminium alloy; the lateral ones are mounted on ball bearings with groove lined by a neoprene ring; the central one is mounted on double-row ball bearings with grooves made up of wear-proof interchangeable nylon sectors. The frame is made of galvanised steel. The pulleys are supplied with fixed connection



Model	Dimensions [mm]										Breaking load [kN]	Mass load [kg]
	A	B	C	D	E	F	G	H	I	L		
CAQ 507	25	24	68	500	1290	595	628	700	100	145.5	120	132
CAQ 614	25	24	68	650	1440	595	775	700	100	145.5	120	155
CAQ 615	25	24	95	650	1440	595	775	826	130	170	180	190
CAQ 814	25	24	68	800	1540	595	880	700	100	145.5	180	180
CAQ 815	25	24	95	800	1540	595	893	826	130	170	180	225
CAQ 008*	25	24	95	1000	1750	595	1100	826	130	170	200	270

\* Lateral wheels with nylon lining